



SPECIALTY PRODUCTS
Delivering Value

BRANCH OFFICES

Santa Fe Springs, CA

15415 Marquardt Ave.
Santa Fe Springs, CA 90670
(800) 352-3870
Fax (562) 802-3296

Sacramento, CA

524 Galveston St.
W. Sacramento, CA 95691
(800) 533-0816
Fax (916) 374-0900

Fresno, CA

2478 N. Sunnyside Ave.
Fresno, CA 93727
(800) 827-4389
Fax (559) 291-2433

Las Vegas, NV

3455 W. Lake Mead Blvd.
N. Las Vegas, NV 89032
866-472-3695
Fax (702) 638-8515

San Jose, CA

1155 Mabury Road
San Jose, CA 95133
(800) 767-0719
Fax (408) 287-2004

Portland, OR

13010 NE David Circle
Portland, OR 97230
(877) 827-4381
Fax (503) 252-2782

San Marcos, CA

431 Daisy Lane
San Marcos, CA 92078
(800) 237-5233
Fax (760) 471-3351

Tempe, AZ

1059 W. Geneva Drive
Tempe, AZ 85282
(800) 352-5548
Fax (480) 517-0766

For a complete list of events visit:
www.target-specialty.com

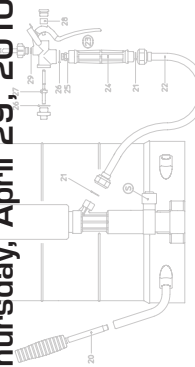
PRESORTED
FIRST CLASS
U.S. POSTAGE
PAID
PERMIT No. 5
ARTESIA, CA

TARGET SPECIALTY PRODUCTS
15415 MARQUARDT AVE., SANTA FE SPRINGS, CA 90670
ADDRESS SERVICE REQUESTED



BIRCHMEIER REPAIR CLASS

Santa Fe Springs, CA
Thursday, April 29, 2010



SPECIALTY PRODUCTS
Delivering Value

BIRCHMEIER REPAIR CLASS

Santa Fe Springs, CA
Thursday, April 29, 2010





SPECIALTY PRODUCTS

BIRCHMEIER REPAIR CLASS

Santa Fe Springs, CA Thursday, April 29, 2010

This class will train the technician to fully repair & maintain their sprayer and troubleshoot problems in the field. New equipment will also be discussed.

REGISTRATION: 7:30 am

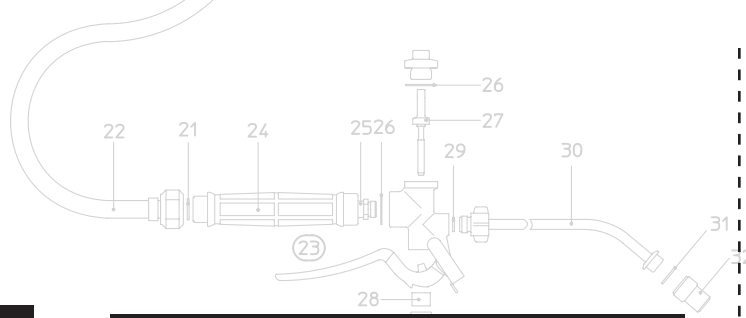
PROGRAM: 8:00 am - 10:00 am

COST: \$45 per person
Includes a continental breakfast and Pump and Valve Repair Kit.

CREDITS: 3.0 hours DPR & SPCB applied for

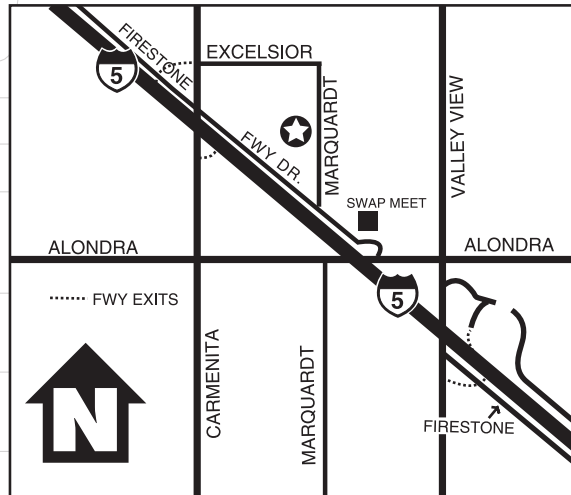
QUESTIONS: 800-352-3870

**SPACE IS LIMITED
RESERVATION REQUIRED**



WHAT TO BRING:

1. Clean triple rinsed Birchmeier sprayer
2. Gloves
3. Eye Protection
4. One medium crescent wrench
5. Pliers



TARGET SPECIALTY PRODUCTS
15415 Marquardt Ave.
Santa Fe Springs, CA 90670

SPACE IS LIMITED
Reservation required

Please complete & return to:
Target Specialty Products
15415 Marquardt Ave.
Santa Fe Springs, CA 90670

Attn: Phyllis Riedman
800-352-3870
562-802-2238
or fax to:
562-802-3296

(This form may be photo-copied)

RSVP by April 23, 2010
Make checks payable to
Target Specialty Products



BIRCHMEIER REPAIR CLASS - RSVP by April 23, 2010

Company: _____

Address: _____

City: _____

State: _____ Zip: _____

Phone: [] _____ Fax: [] _____

NAME OF REGISTRANT(S): _____ **\$45 PER PERSON**

Enclosed is my payment of \$_____ for _____ people

Check Visa/mc/discover Card# _____

Signature _____ Exp. _____ V-Code _____